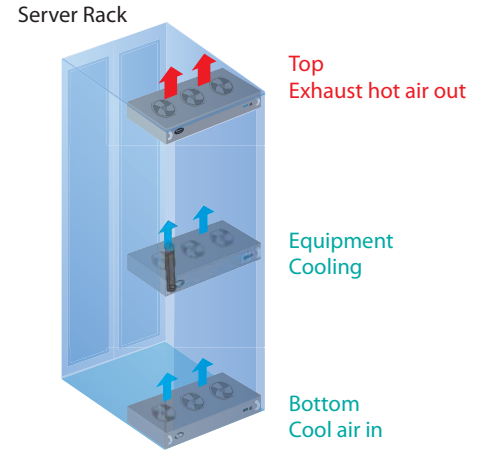


F-1.3 1U Rackmount Fan Tray



Features & Benefits

- ▶ Designed for low noise / high airflow performance
- ▶ External temperature sensor x 1
- ▶ Front temperature LED
- ▶ Auto-sensing 110V to 220VAC power input
- ▶ 48V, 24V or 12VDC power option

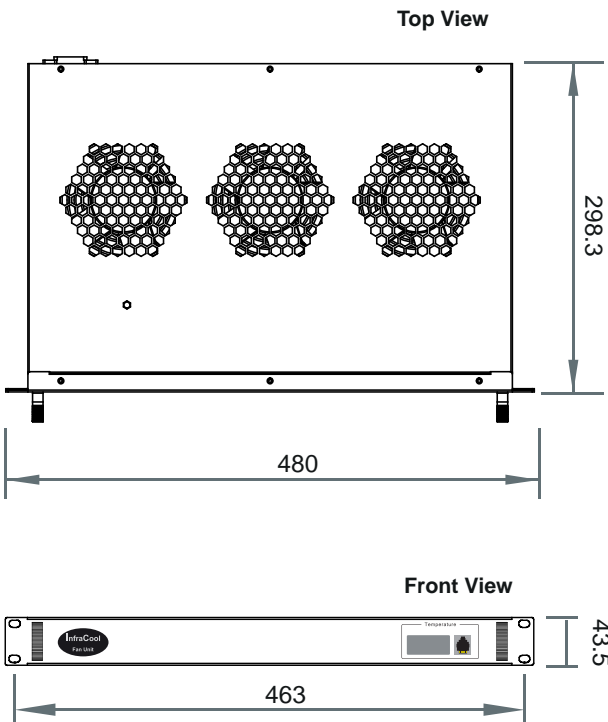
External Temperature Sensor



- Plug & Play
- 2M wire



Diagrams (mm)



Specifications

- **F-1.3 Fan Tray**
 - No. of Fans : 3
 - Individual Fan CFM : 108 CFM
 - Unit CFM (approx.) : 324 CFM
 - MTBF : 50,000 hrs
 - Individual Fan Noise Level : 41 dB
- **Environmental**
 - Operating : 0 to 50°C Degree
 - Storage : -5 to 60°C Degree
 - Relative humidity : 5~90%, non-condensing
 - Shock : 50G peak acceleration (11ms, half-sine wave)
 - Vibration : 58~100Hz / 0.98G (11ms / cycle)
- **Weight**
 - Net / Gross : 4 kgs (8.8 lbs) / 5 kgs (11 lbs)
- **Casing Color :** Black
- **Mounting :** 1U rackmount
- **Safety Regulatory :** FCC & CE certified
- **Environmental :** RoHS2 & REACH compliant by SGS
- **Power**
 - Input : Auto-sensing
 - 100V or 240V AC at 50 or 60Hz via IEC cord
 - Consumption : 20W
- **Dimensions**
 - Product : 480 x 298.3 x 43.5 mm / 18.9 x 11.7 x 1.71 inch
 - Packing : 380 x 535 x 120 mm / 15 x 21.1 x 4.7 inch