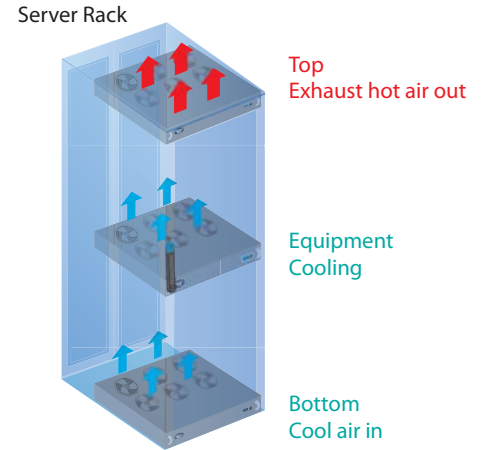


F-1.6 1U Rackmount Fan Tray



Features & Benefits

- ▶ Designed for low noise / high airflow performance
- ▶ External temperature sensor x 1
- ▶ Front temperature LED
- ▶ Auto-sensing 110V to 220VAC power input
- ▶ 48V, 24V or 12VDC power option

External Temperature Sensor

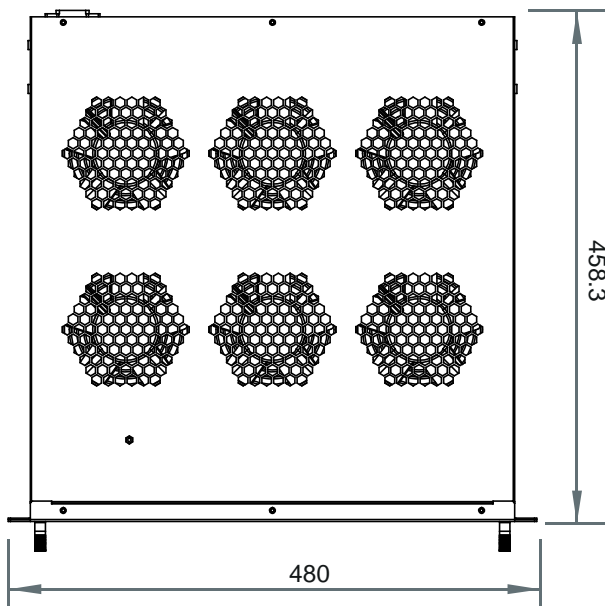


- Plug & Play
- 2M wire

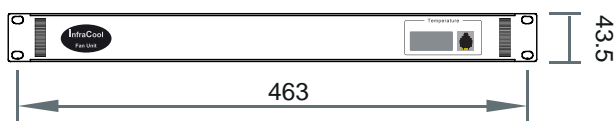


Diagrams (mm)

Top View



Front View



Specifications

• F-1.6 Fan Tray

No. of Fans :	6
Individual Fan CFM :	108 CFM
Unit CFM (approx.) :	648 CFM
MTBF :	50,000 hrs
Individual Fan Noise Level :	41 dB

• Environmental

Operating :	0 to 50°C Degree
Storage :	-5 to 60°C Degree
Relative humidity :	5~90%, non-condensing
Shock :	50G peak acceleration (11ms, half-sine wave)
Vibration :	58~100Hz / 0.98G (11ms / cycle)

• Weight

Net / Gross :	6.8 kgs (15 lbs) / 8 kgs (17.6 lbs)
---------------	---

• Casing Color :

Black

• Mounting :

1U rackmount

• Safety Regulatory :

FCC & CE certified

• Environmental :

RoHS2 & REACH compliant by SGS

• Power

Input :	Auto-sensing 100V or 240V AC at 50 or 60Hz via IEC cord
Consumption :	40W

• Dimensions

Product :	480 x 458.3 x 43.5 mm / 18.9 x 18 x 1.71 inch
Packing :	550 x 550 x 120 mm / 21.7 x 21.7 x 4.7 inch