

S-600 Standalone Rack SmartCard Handle



Patented and Worldwide
Patents Pending



Rack level access security has become critically important for all data centers and server rooms. More and more IT managers have recognized this need and upgraded their racks with smartcard access control. To meet the increasing needs, Austin Hughes offers the **InfraSolution® S Standalone SmartCard Handle** at affordable prices.



Key Benefits

>>> Affordable Price

A basic rack can be upgraded with smartcard access control at an affordable price.

>>> Quality Products & Service Commitment

We are committed to providing high quality products and services. All purchases of our long life products with 2 years warranty standard can be upgraded to 5 years.

>>> Simple Components & Easy Installation

The key hardware components for each rack just consists of a pair of smartcard handles, two door sensors and cable accessories. The hardware installation is so easy that even the end-users can do it. Both Left and Right opening handle models are available.

>>> LED for Clear Lock Status Indication

Three LED color modes on the smartcard handle indicate the lock status clearly. An authorized unlock is signaled by a silver white flashing LED. Unauthorized rack access will result in a red flashing LED following with an audible alarm while the handles are equipped with door sensors.

>>> Proximity & MiFARE Compatible

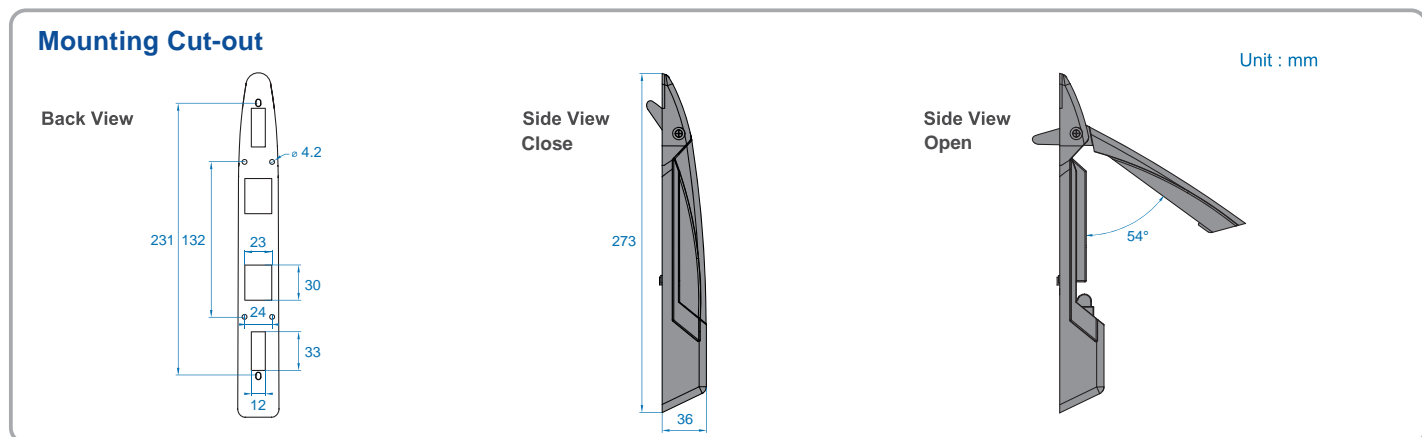
Compatibility issues between different access card standards are a major consideration when deploying a smartcard system. The InfraSolution standalone series caters for the two most common smartcard alternatives – the Proximity & MiFARE. User's existing smartcard can be used on S-600 if it is in either of the above.

>>> Dual Card Authentication by Administrator and User Cards

InfraSolution S offers an administrator card option to provide dual card authentication rack access. Unless the administrator card detects in advance, the smartcard handle cannot be unlocked by the user smartcard. The dual card authentication access makes sure that any authorized door opening is fully under the data center's monitoring.

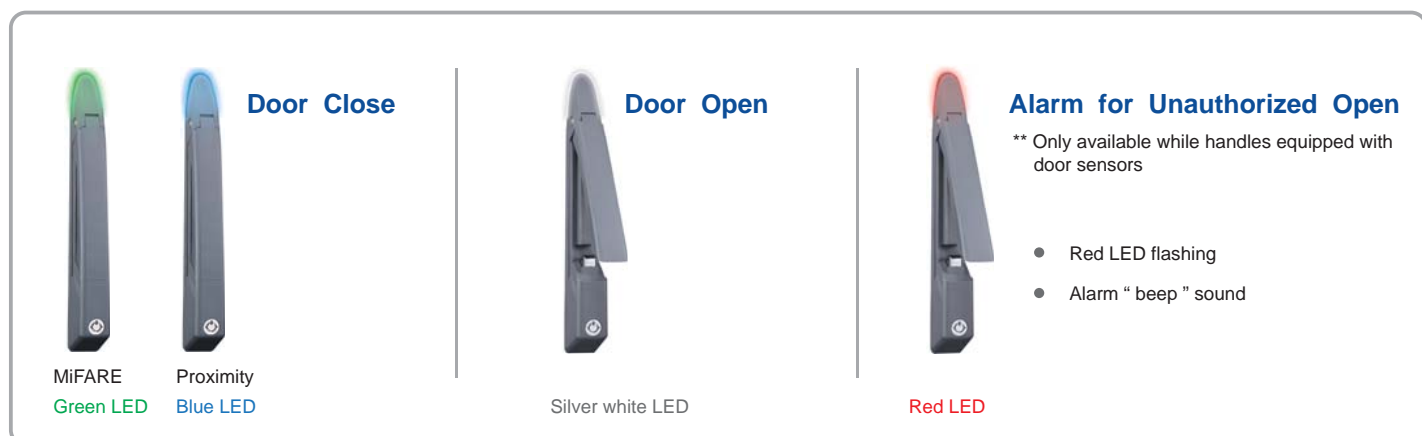
Smartcard Handle

The patented S-600 smartcard handle mounting is not compatible to the universal mounting cut-out. Nevertheless, the rack manufacturers just need to make a custom handle mounting cut-out on the door to suit S-600 smartcard handle. It is an alternative for users who look for a handle with a stylish and different outlook design.



Handle LED for Lock Status Indication

The LED color on InfraSolution S standalone smartcard handle provides the clear indication on the lock status. User can view the handle lock status just by LED handle colors.



Door Sensor

Optional door sensor is an essential item for alarm functions. User can be alerted by visual and audio alarm for unauthorized door opening.

Two door sensors are offered in order to suit different sensor integration scenarios.

(I) Inductive Door Sensor



- light weight / adhesive
- mini size (32.5 x 12.2 x 9.2 mm)
- no custom cutting required on doors
- easy for existing rack retrofit
- mounting bracket bundled
- with 2m cord

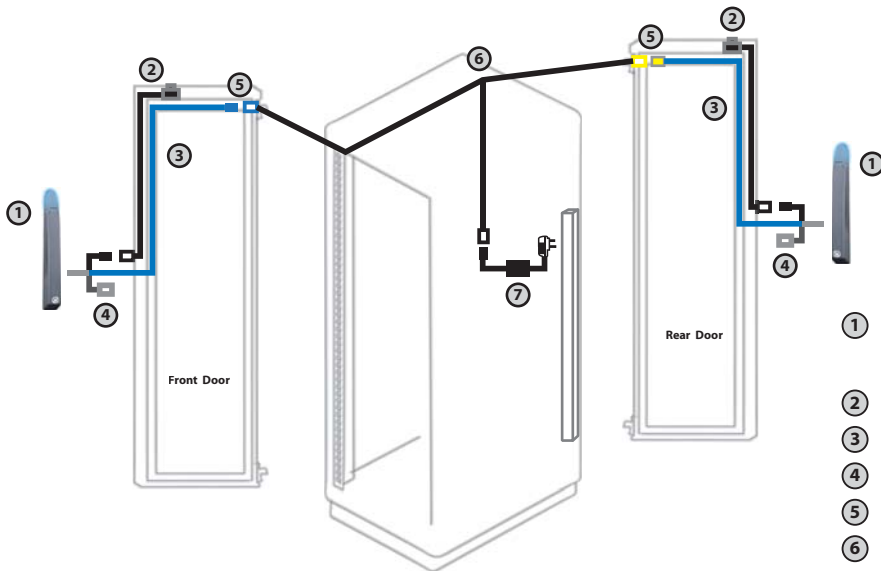
(II) Mechanical Door Sensor



- low cost / precise
- size (52 x 22.5 x 30.75 mm)
- cost efficient integration to new rack
- custom cutting required on doors
- with 2m cord

Quick Installation

InfraSolution S installation is simple and quick - it just involves the smartcard handles, door sensors and easy cabling.



- ① S-600P Proximity or S-600M MIFARE smartcard handle :
2pcs for front & rear door, with cables to connect ② ③ ④
- ② Optional door sensor with cable : 2pcs for front & rear door (2m)
- ③ Power cable (door section) : 2pcs for front & rear door (2m)
- ④ Data input connector (for handle activation / data input / configuration)
- ⑤ Joint connector of ③ & ⑥
- ⑥ Y-Power cable (rack section)
- ⑦ Universal Auto switching 2.5A power adapter & 6' power cord

Free & User friendly Software

InfraSolution S provides two user-friendly software free. **UTILITIES ISU-01** is ideal for the initial setup and simple operation. To look for relatively high requirements like the reporting feature and password security, **MANAGER ISM-01** will be the one you should apply for.

Software Features	Utilities ISU-01	Manager ISM-01
Max. 500 pairs of handle		✓
Max. 50 user card authorization per handle	✓	✓
Dual or single card mode authentication **	✓	✓
Enable or disable door sensor detection **	✓	✓
Detailed user card information		✓
Reporting on configuration details		✓
Log in password		✓

** Optional feature

Utilities (ISU-01)

Handle Information

Handle ID: SHID-01FD701BE8A
 Model no.: S-600P
 Type: Proximity
 Last updated: 2013 / 04 / 16 17:09

Handle Location

Zone: Demo_Zone_A
 Rack: Demo_Rack_A
 Handle position: Front Rear

Door Sensor

Disable Enable
Ensure you have ordered door sensors and finished the installation and connection. Otherwise, DO NOT enable door sensor as it will cause malfunction.

Card Access Mode

Normal (User card only)
 Dual card authentication (Administrator card + User card)

Apply Cancel Export Import

Status: Synchronizing data with handle [SHID-01FD701BE8A]100%

Card Assignment (Max. 50)

Card nr	Delete
00104531	00104558
00026156	00104599
10800074	00104781
00105208	00105310
10803508	10804577
10803513	10804567
10803512	10804588
00104532	10804599
10800077	00103511
00105308	00103519
00105209	00026151
00104534	00026152
10803353	00026153
10803325	00026157
00026155	00026151
00026158	10806778
10800088	10806779
10800079	10806888
00104452	10806887
00104623	00105533
00104618	00105539
00105311	00105535
00105671	00104533
00105669	00104538
00105666	10808867

Manager (ISM-01)

SmartCard Handle

View
Setting
Event
Report
Backup
Restore

Help

User Manual
FAQ
Trouble shooting
Support

Event

First / Previous 1 2 3 4 5 6 7 8 9 10 Next / Last Last 2000 Events.

Date	Time	Event	Description
2013/04/12	18:19:23	Handle	Enable SHID-01FD162C77E Door Sensor
2013/04/12	18:19:22	Handle	Change SHID-01FD162C77E Position - rear
2013/04/12	18:19:21	Handle	Change SHID-01FD162C77E Rack - 59889
2013/04/12	18:19:20	Handle	Change SHID-01FD162C77E Zone - 5989898
2013/04/12	18:19:19	Handle	Delete SHID-01FD162C77E Card Holder - 1231
2013/04/12	17:59:43	Administrator Card Holder	Add Administrator Card Holder - 265 156156(161)
2013/04/12	17:46:33	Handle	Disable SHID-01FD162C77E Door Sensor
2013/04/12	17:46:32	Handle	Change SHID-01FD162C77E Position - front

Order Tips

>> Smartcard handle model - Proximity OR MiFARE

Model	Proximity	MiFARE
S-600P	✓	
S-600M		✓

>> Order the handle data input cable (ISW-USB-1.8)

At least one data input cable for each installation site.

>> Optional door sensor - Inductive (S-DSI) OR Mechanical (S-DSW)

Door sensor is essential for visual & audio alarm and able to achieve a more user-friendly operation.

Skip the option If audio & visual alarm is not required.

>> Select the free software - Utilities (ISU-01) OR Manager (ISM-01)

InfraSolution S provides two user-friendly software free. ISU-01 is ideal for the initial setup and simple operation. To look for relatively high requirements like the reporting feature, ISM-01 will be the one you should apply for.

>> Pick the right power plug

Different power cords for selection :



Value-Add Options

>> Enjoy the warranty upgrade from 2 years to 5 years



>> Upgrade key lock

- Individual key lock (ISK-C051)
- Up to 500 individual key-locks available
- Unique key lock (ISK-UKL)
- Unique key dedicated to single project / customer regionally
- For project size over 500 racks

>> Order smartcard & card reader

- Proximity 26-bit Smartcard (ISC-P10)
- Proximity Smartcard Reader (ISC-PCR)
- MiFARE 26-bit Smartcard (ISC-M10)
- MiFARE Smartcard Reader (ISC-MCR)

>> Consider dual card authentication for additional security



(DCS-01)

Optional Accessories

Inductive door sensor, pair (S-DSI)

- Light weight, mini size & adhesive
- No custom cutting required on doors
- Easy for existing rack retrofit or integration to new rack

Mechanical door sensor, pair (S-DSW)

- Low cost
- Precise
- Cost efficient integration to new rack
- Custom cutting required on doors

Handle data input cable, pc (ISW-USB-1.8)

- Connect the smartcard handle to the laptop for handle activation, data input & configuration

Individual key lock, set of 2 for front & rear door (ISK-C051)

- Up to 500 individual key-locks available

Unique key lock (ISK-UKL)

- Unique key dedicated to single project / customer regionally
- For project size over 500 racks

Dual card authentication (DCS-01)

- Software upgrade for additional security
- Rack access by administrator card + user card

** Order this option before the delivery

Proximity smartcard, pack of 10 (ISC-P10)

- Proximity 26-bit format
- Single card for multiple application
- Custom card layout available

MiFARE smartcard, pack of 10 (ISC-M10)

- MiFARE 26-bit format
- Single card for multiple application
- Custom card layout available

Proximity card reader (ISC-PCR)

- Proximity 26-bit smartcard compatible
- Convenient way for smartcard ID reading
- Driverless for easy installation

MiFARE card reader (ISC-MCR)

- MiFARE 26-bit smartcard compatible
- Convenient way for smartcard ID reading
- Driverless for easy installation

Austin Hughes has an extensive distribution network, including EMEA, the Americas & APAC. Contact your nearest sales office for details of local representation.

Sales Inquiry
inquiry@austin-hughes.com

Technical Support
support@austin-hughes.com

Distributed by:

Distributor by country on application