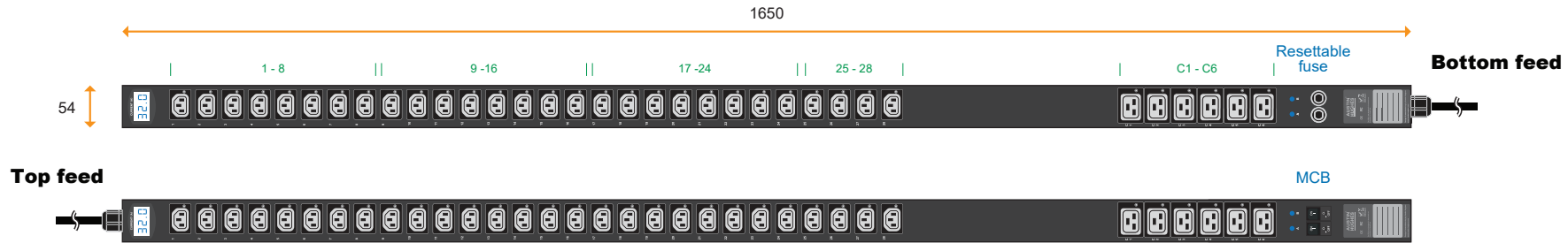


1-Phase metered PDU specification drawing

230V 10A / 16A / 20A / 32A PDU : C13 x 28 + C19 x 6

unit : mm



Circuit Protection	Code
Fuse	F
MCB	CR



IEC 60309 Inlet

32A model :	Circuit Protection
V28C13/6C19-32A-MD/ F _EN/3 B -1	Resettable Fuse x 2
V28C13/6C19-32A-MD/ CR _EN/3 T -1	1-pole MCB x 2

Input Rating : 32Amp, 230V
Cordset : 3 meter 4.0mm sq. H05V V-F cordset
Protection : 16A resettable fuse or 16A hydraulic MCB x 2
Circuit A : Output 16A max., C13 #1-14 + C19 #C1-C3
Circuit B : Output 16A max., C13 #15-28 + C19 #C4-C6
Weight : Net 6.46 Kg / Gross 8.39 Kg

PDU Feed	Code
Bottom	B
Top	T



Open end

20A model :	Circuit Protection
V28C13/6C19-20A-MD/ F _OE/3 B -1	Resettable Fuse x 1
V28C13/6C19-20A-MD/ CR _OE/3 T -1	1-pole MCB x 1

Input Rating : 20Amp, 230V
Cordset : 3 meter 2.5mm sq. H05V V-F cordset
Protection : 20A resettable fuse or 20A hydraulic MCB x 1
Circuit : Output 20A max., C13 #1-28 + C19 #C1-C6
Weight : Net 5.79 Kg / Gross 7.71 Kg

Chassis Color	Code
Black	1
White	2
Red	3
Blue	4
Green	5
Orange	6
Yellow	7
Purple	8



IEC 60309 Inlet

16A model :	Circuit Protection
V28C13/6C19-16A-MD/ F _EN/3 B -1	Resettable Fuse x 1
V28C13/6C19-16A-MD/ CR _EN/3 T -1	1-pole MCB x 1

Input Rating : 16Amp, 230V
Cordset : 3 meter 1.5mm sq. H05V V-F cordset
Protection : 16A resettable fuse or 16A hydraulic MCB x 1
Circuit : Output 16A max., C13 #1-28 + C19 #C1-C6
Weight : Net 5.72 Kg / Gross 7.64 Kg



IEC320 C20

16A model :	Circuit Protection
V28C13/6C19-16A-MD/ F _C20/3 B -1	Resettable Fuse x 1
V28C13/6C19-16A-MD/ CR _C20/3 T -1	1-pole MCB x 1

Input Rating : 16Amp, 230V
Cordset : 3 meter 1.5mm sq. H05V V-F cordset
Protection : 16A resettable fuse or 16A hydraulic MCB x 1
Circuit : Output 16A max., C13 #1-28 + C19 #C1-C6
Weight : Net 5.64 Kg / Gross 7.57 Kg

Operating Temperature : -5 to 60 °C
Storage Temperature : -25 to 65 °C
Operating Altitude : 0 to 2,000 m
Storage Altitude : 0 to 15,000 m
Humidity : 8 to 95% RH, non-condensing

Meter Features (MD metered PDU)
Local Display : 3-digit LED ammeter measuring input load current
Measurement : Current (A)
Accuracy : ± (3% of the reading + 5 digits) RMS

EMC Compliance : CE / EMC
Safety Compliance : Tested to EN 62368-1:2014 / A11:2017 standard
Tested to EN 60730-1:2016 / A1:2019 standard
Environment Compliance : RoHS3 & REACH

AUSTIN HUGHES Design. Manufacturing. Global Services.

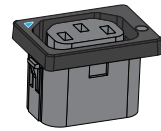
The company reserves the right to modify product specifications without prior notice and assumes no responsibility for any error which may appear in this publication.

Copyright 2021 Austin Hughes Electronics Ltd. All rights reserved.

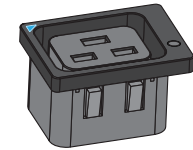
Product Dimension : 54 (W) x 70 (D) x 1650 (H) mm
Packing dimension (for 2 PDUs) : 110 (W) x 268 (D) x 2043 (H) mm

Lockable IEC Outlet

- Patented design for InfraPower PDU



C13 Outlet



C19 Outlet

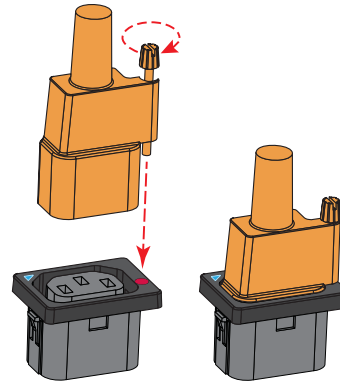
Lockable IEC Cable

- Patented design of InfraPower PDU
- Low cost, easy to lock & secure
- Proprietary for lockable IEC outlet
- Applicable to standard IEC outlet
- 6 colors & 3 lengths available
- Custom color & length on request
- VDE & ENEC approval

C13 - C14

H05VV-F 3G 0.75mm²

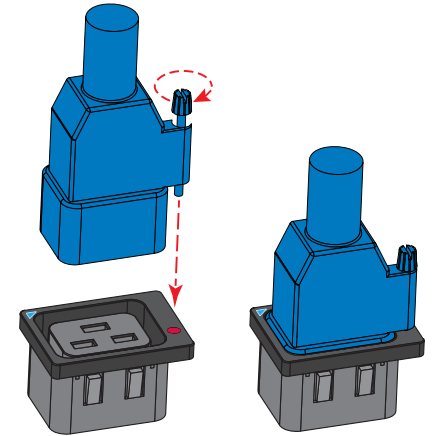
Cable Color	0.5M	1M	2M
Black	✓	✓	✓
Grey	✓	✓	✓
Red	✓	✓	✓
Blue	✓	✓	✓
Green	✓	✓	✓
Orange	✓	✓	✓



C19 - C20

H05VV-F 3G 1.5mm²

Cable Color	1M	2M
Black	✓	✓
Grey	✓	✓
Red	✓	✓
Blue	✓	✓
Green	✓	✓
Orange	✓	✓

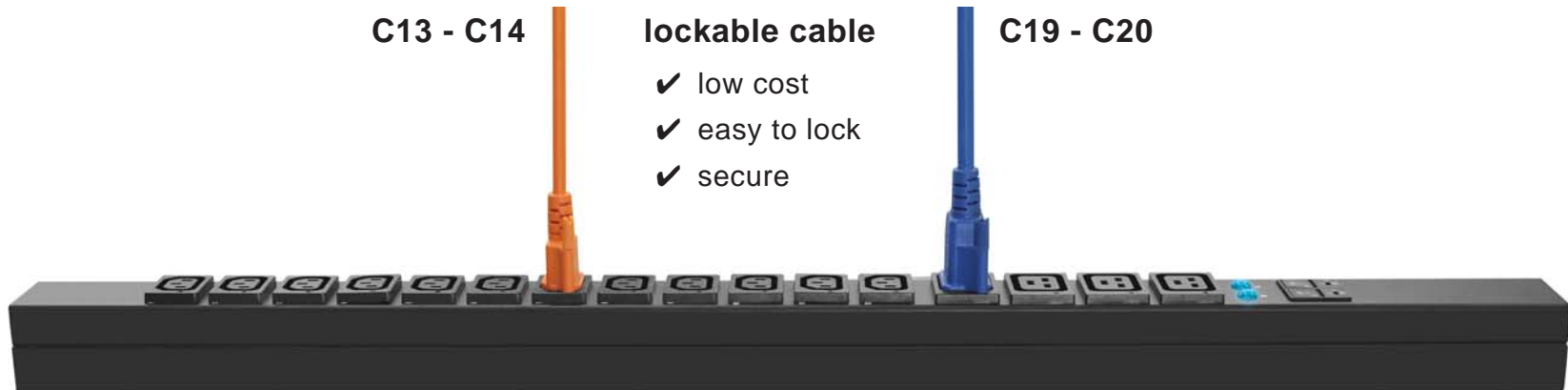


C13 - C14

lockable cable

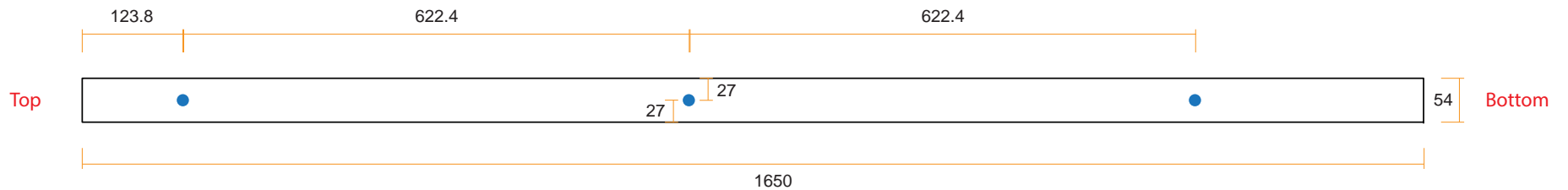
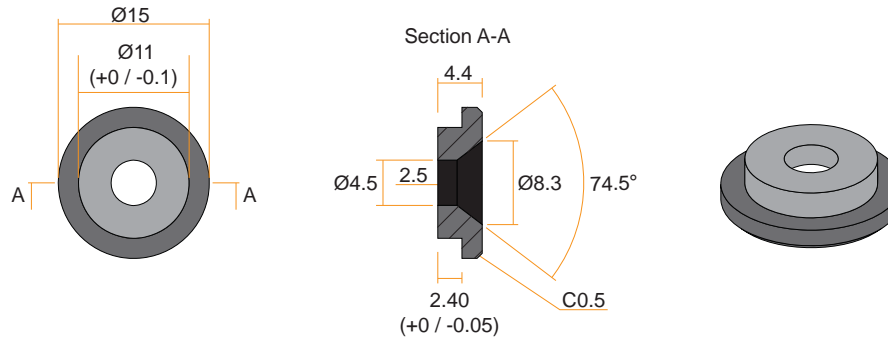
C19 - C20

- ✓ low cost
- ✓ easy to lock
- ✓ secure





VMS Mounting Button

 x 3 +  x 3
M4 Screw
 - Flat head
 - M4x10mm
PEG



VMB Mounting Bracket

 x 4 +  x 2
M3.2 Screw
 - Flat head
 - M3.2x6mm
Bracket

