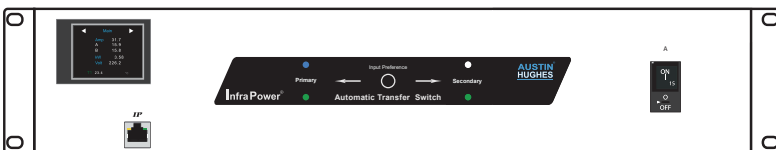


WSi ATS

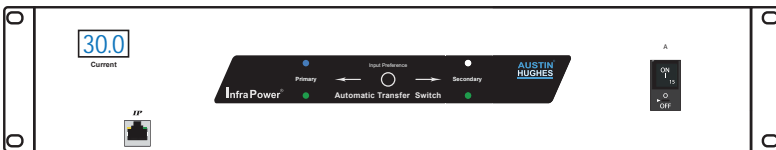
2.0" color touch LCD
Display Volt, Amp & kWh status



88

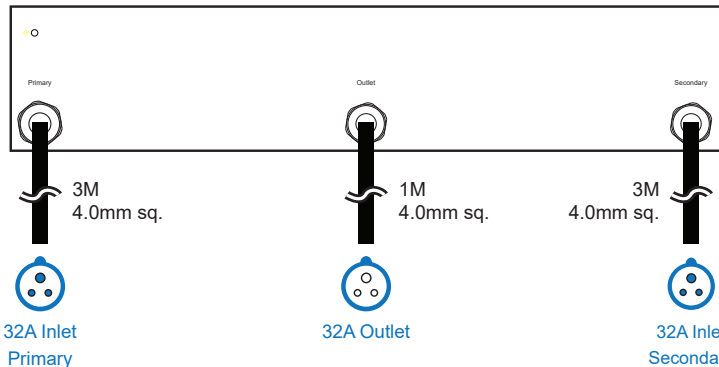
BSi ATS

3-digit LED
Display Amp status only



Front view

Circuit Details :
output 30A max., 32A IEC60309 2P+E connector



230V model	Inlet x 2	Cordset x 2	30A MCB
ATS-H1EN32A-32A-WSi_EN	32 Amp IEC 60309 2P+E	3M 4.0mm sq. H05V V-F	1
ATS-H1EN32A-32A-BSi_EN			



Specification	
Operating Temperature : -5 to 60 °C	Nominal input volt. : 230V
Storage Temperature : -25 to 65 °C	Acceptable input volt. : ±10% nominal
Operating Altitude : 0 to 2,000 m	Input frequency : 50 / 60Hz
Storage Altitude : 0 to 15,000 m	Transfer time : 10 ms typical
Humidity (non-condensing) : 8 to 95% RH	Electrical endurance : 1 x 10 ⁵ operations
	Power consumption : Approx. 20W
Chassis Material / Color : Steel / Black	
Product Dimension : 442W x 300D x 88H (mm)	
Packing Dimension : 540W x 540D x 150H (mm)	
Net / Gross Weight : 9.5 kg / 10.0 kg	

Meter Features	WSi ATS	BSi ATS
Local Display	: 2.0" color touch LCD	: 3-digit LED
Bank Measurement	: Volt, Amp, kWh & Power Factor	: Same as WSi
Outlet Measurement	: Amp & kWh	: Same as WSi
Outlet Control	: Outlet Switch ON / OFF	: Same as WSi
Accuracy	: ±1% Billing-grade	: Same as WSi
IP Access	: Embedded IP with Gigabit Ethernet port Enterprise IP Authentication, LDAPv3 / LDAPS, Active Directory®, RADIUS protocol	: Same as WSi
SNMP	: V2 / V3 & GUI	: Same as WSi

EMC Certificates	
CE / EMC	: EN55032:2015/A11:2020 EN IEC 61000-3-2:2019/A1:2021 EN61000-3-3:2013/A2:2021 EN55035:2017/A11:2020
Safety Certificates	
CE / LVD	: EN 62368-1:2014, EN 62368-1:2014/A11:2017
CB	: IEC 62368-1:2014
UKCA	: BS EN 62368-1:2014+A11: 2017
UL-US	: UL 62368-1, 2nd Ed., Issue Date: 2014-12-01
UL-CA	: CSA C22.2 No. 62368-1-14, 2nd Ed., Issue Date: 2014-12-01
Environment	: RoHS, Reach & WEEE