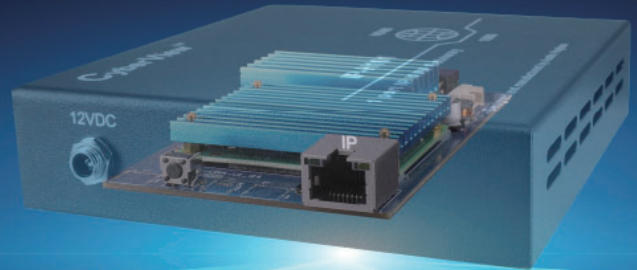


1 port IP KVM Gateways



- ▶ IP Remote Access
- ▶ Quad-core Processor
- ▶ HTML-base & Java-free
- ▶ Enterprise IP Authentication
- ▶ BIOS-level Access



High Performance IP Remote Access

- > Powerful graphic accelerator for high quality video and image via IP
- > High performance streaming of FHD 1080 video



Quad-core Processor IP KVM

- > Delivers high-performance video encode and decode
- > Efficient real-time video transport
- > Low-latency remote management



Control over IP & BIOS-level Access

- > Full physical remote control to servers' console
- > No need to run the OS on the connected servers



Enterprise Level IP Authentication

- > Utilizes TLS 1.3, AES 128 / 256-bit encryption
- > Integration with Active Directory® (AD), Lightweight Directory Access Protocol (LDAP), or Remote User Service (RADIUS) protocol
- > Strong passwords & granular user / user group permissions
- > Support HTTP (s), SNMP trap, SMTP, IPV6/ IPV4 management protocols



HTML-based Access

- > User-friendly Java-free remote access over IP
- > Only require a supported browser for IP access

IP-H101A

1 port IP HDMI KVM Gateway



IP-S101A

1 port IP VGA KVM Gateway



IP 1080 for HDMI / VGA

- HDMI connection to KVM/ computer (IP-H101A)
- VGA connection to KVM/ computer (IP-S101A)

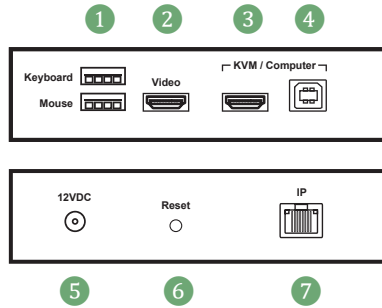
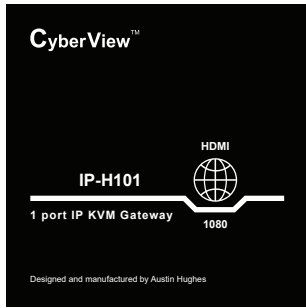
Plug & Play

- Tool-less & easy setup
- No software driver required

Low-profile Design

- Space saving
- Flexible positioning

IP-H101A 1 port IP HDMI KVM Gateway



- 1 USB-A to Keyboard & Mouse
- 2 HDMI Output to Monitor
- 3 HDMI to KVM Switch / Computer
- 4 USB-B to KVM Switch / Computer
- 5 12VDC Power Input
- 6 Reset
- 7 1000 BaseT Gigabit Ethernet Port

KVM Port	
Connector :	HDMI 1.4 + USB-B (Video + KB / MS)
Connectivity :	6 ft HDMI KVM cable (CH-6H)
Resolution :	16 : 9 - max. 1920 x 1080 16 : 10 - max. 1920 x 1200 4 : 3 - max. 1600 x 1200

Local Console	
Keyboard / Mouse :	2 x USB-A
Video :	1 x HDMI 1.4
Resolution :	16 : 9 - max. 1920 x 1080 16 : 10 - max. 1920 x 1200 4 : 3 - max. 1600 x 1200

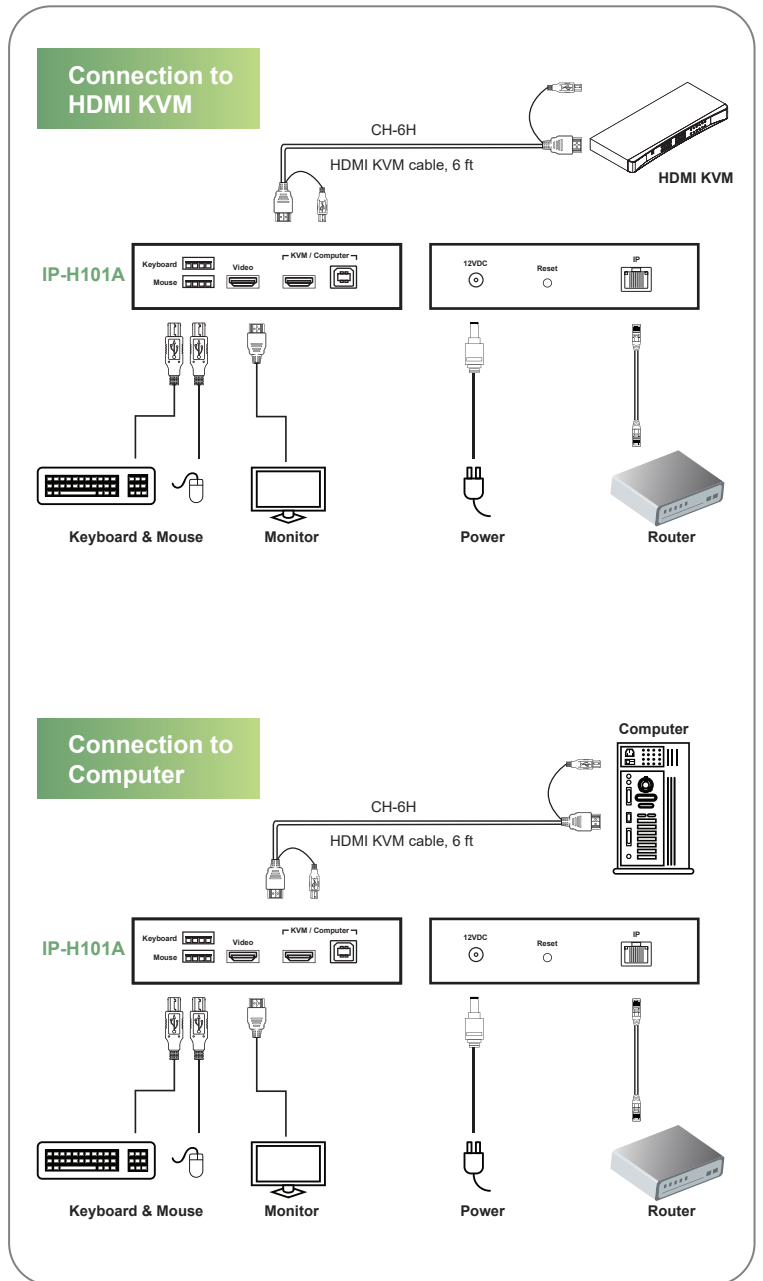
IP Console	
Connector :	1000 BaseT Gigabit Ethernet Port (RJ45)
User management :	1 x active user, 15-user login
Network protocol :	DHCP / BOOTP / DNS
Security :	TLS 1.3, AES, LDAP, Active Directory (AD), HTTP(s)
Browser :	Chrome, Firefox, Edge, etc.
Resolution :	16:9 - max. 1920 x 1080 16:10 - max. 1920 x 1200 4:3 - max. 1600 x 1200

Power	
Input	12V Power Adapter
Consumption	Max. 11W

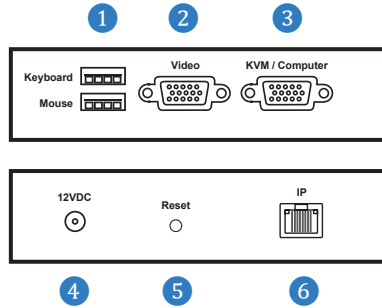
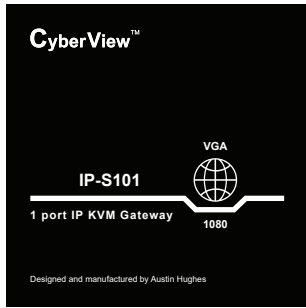
Physical	
Product (W x D x H)	125 x 123.5 x 30 mm 4.92 x 4.86 x 1.18 inch
Packing (W x D x H)	358 x 257 x 55 mm 14.09 x 10.12 x 2.17 inch
Weight	Net 0.478 kg / 1.05 lb
	Gross 1.31 kg / 2.89 lb
Chassis color	Dark
Chassis materials	Steel

Compliance	
EMC	FCC & CE
Safety	CE / LVD & UKCA
Environment	RoHS3 & REACH

Environment	
Operating temp.	0 to 55°C degree
Storage temp.	-20 to 60°C degree
Operating humidity	20 to 90%, non-condensing
Storage humidity	5 to 90%, non-condensing
Operating altitude	16,000 ft
Non-operating altitude	40,000 ft
Shock	10G acceleration (11ms duration)
Vibration	5~500Hz 1G RMS random vibration



IP-S101A 1 port IP VGA KVM Gateway



- 1 USB-A to Keyboard & Mouse
- 2 VGA Output to Video
- 3 DB-15 Input to KVM/ Computer
- 4 12VDC Power Input
- 5 Reset
- 6 1000 BaseT Gigabit Ethernet Port

KVM Port	
Connector :	Combo DB-15 (Video + KB / MS)
Connectivity :	6 ft VGA KVM cable (CB-6)
Resolution :	16 : 9 - max. 1920 x 1080 16 : 10 - max. 1920 x 1200 4 : 3 - max. 1600 x 1200

Local Console	
Graphic Connector :	1 x DB-15 VGA
Input device :	2 x USB type A for keyboard & mouse
Resolution :	16 : 9 - max. 1920 x 1080 16 : 10 - max. 1920 x 1200 4 : 3 - max. 1600 x 1200

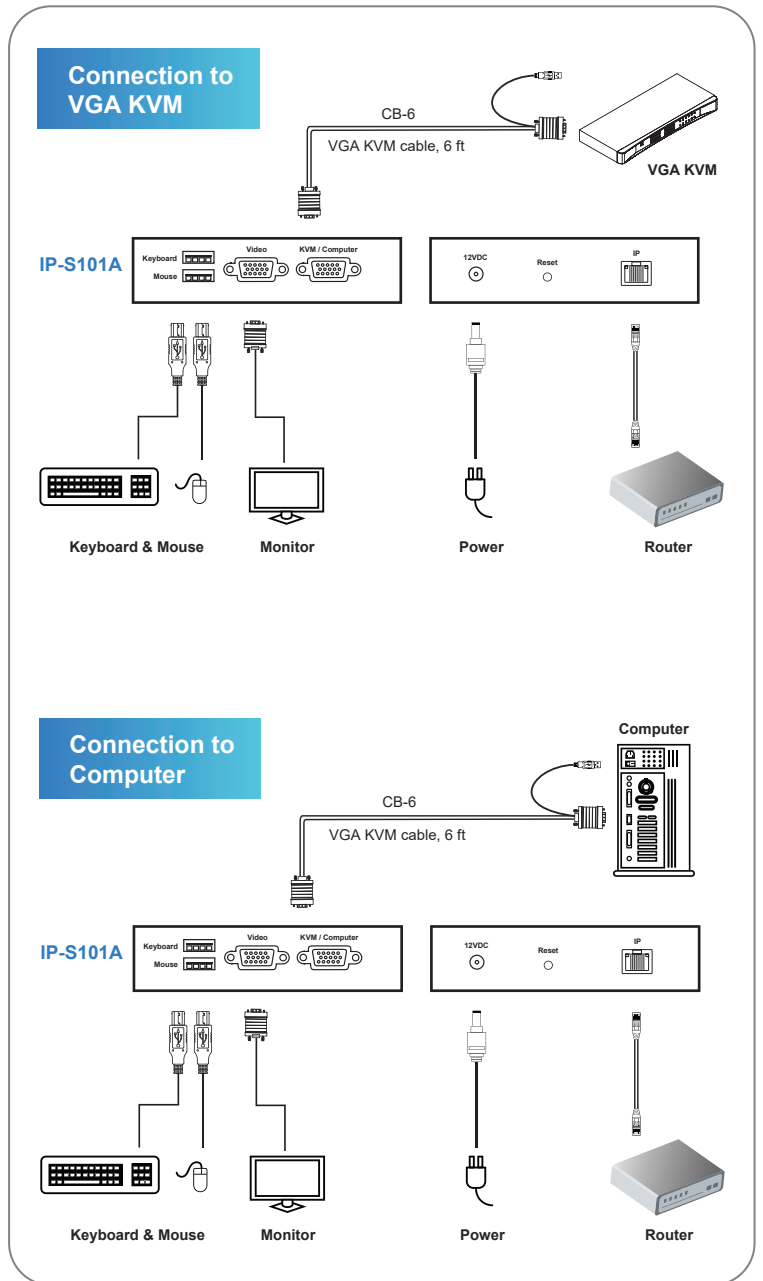
IP Console	
Connector :	1000 BaseT Gigabit Ethernet Port (RJ45)
User management :	1 x active user, 15-user login
Network protocol :	DHCP / BOOTP / DNS
Security :	TLS 1.3, AES, LDAP, Active Directory (AD), HTTP(s)
Browser :	Chrome, Firefox, Edge, etc.
Resolution :	16:9 - max. 1920 x 1080 16:10 - max. 1920 x 1200 4:3 - max. 1600 x 1200

Power	
Input	12V Power Adapter
Consumption	Max. 11W

Physical	
Product (W x D x H)	125 x 123.5 x 30 mm 4.92 x 4.86 x 1.18 inch
Packing (W x D x H)	358 x 257 x 55 mm 14.09 x 10.12 x 2.17 inch
Weight	Net 0.492 kg / 1.08 lb
	Gross 1.20 kg / 2.65 lb
Chassis color	Dark
Chassis materials	Steel

Compliance	
EMC	FCC & CE
Safety	CE / LVD & UKCA
Environment	RoHS3 & REACH

Environment	
Operating temp.	0 to 55°C degree
Storage temp.	-20 to 60°C degree
Operating humidity	20 to 90%, non-condensing
Storage humidity	5 to 90%, non-condensing
Operating altitude	16,000 ft
Non-operating altitude	40,000 ft
Shock	10G acceleration (11ms duration)
Vibration	5~500Hz 1G RMS random vibration



Explore other CyberView IP KVM solutions

Matrix Cat6 KVM



www.austin-hughes.com/PS-CV-MUKVM.pdf

Combo Cat6 KVM



www.austin-hughes.com/PS-CV-UKVM.pdf

Combo DB-15 KVM



www.austin-hughes.com/PS-CV-SKVM.pdf

USB-hub DB-15 KVM



www.austin-hughes.com/PS-CV-USBKVM.pdf

KVM Series	IP	Model		
		8-port	16-port	32-port
Matrix Cat6	1	--	MU-IP1613	MU-IP3213
	2	--	MU-IP1624	MU-IP3224
Combo Cat6	1	U-IP802	U-IP1602	U-IP3202
Combo DB-15	1	IP-802	IP-1602	--
USB-hub DB-15	1	IP-802H	--	--

** 1U standalone KVM, or LCD KVM rear kit available

Online Demo

Schedule an online demo now to try our IP KVM access



www.austin-hughes.com/resources/ip1080-kvm-software-demo/

AUSTIN HUGHES®

Austin Hughes has an extensive distribution network, including the Americas, EMEA, APAC & ASEAN. Contact your nearest sales office for details of local representation

Americas

Austin Hughes Solutions Inc.
32900 Alvarado-Niles Rd, Suite 150
Union City, CA 94587
United States

inquiry@austin-hughes.com

EMEA

Austin Hughes Europe Ltd.
Unit 1, Chancery Gate Business Centre
Manor House Avenue
Southampton, SO15 0AE
United Kingdom

sales@austin-hughes.co.uk

APAC

Austin Hughes Electronics Ltd.
Unit 3608-12, Cable TV Tower
9 Hoi Shing Road, Tsuen Wan
Hong Kong

inquiry@austin-hughes.com

ASEAN

Austin Hughes Pte. Ltd.
164 Gul Circle
#01-07 JTC Space @ Gul,
Singapore 629621

inquiry@austin-hughes.com



As a leading global IT manufacturer, Austin Hughes provides TAA-compliant data center solutions, manufactures and assembles products in strategic TAA-certified locations.

Please ask for details of other products from Austin Hughes. Every effort has been made to ensure that the information contained herein is correct. There is a possibility that the image(s) shown may not be exactly the same as the final product. The company reserves the right to modify product specifications without prior notice and assumes no responsibility for any error which may appear in this publication.

All brand names, logo and registered trademarks are properties of their respective owners. Copyright 2025 Austin Hughes Electronics Ltd. All rights reserved.

Distributed by:

Distributor by country on application